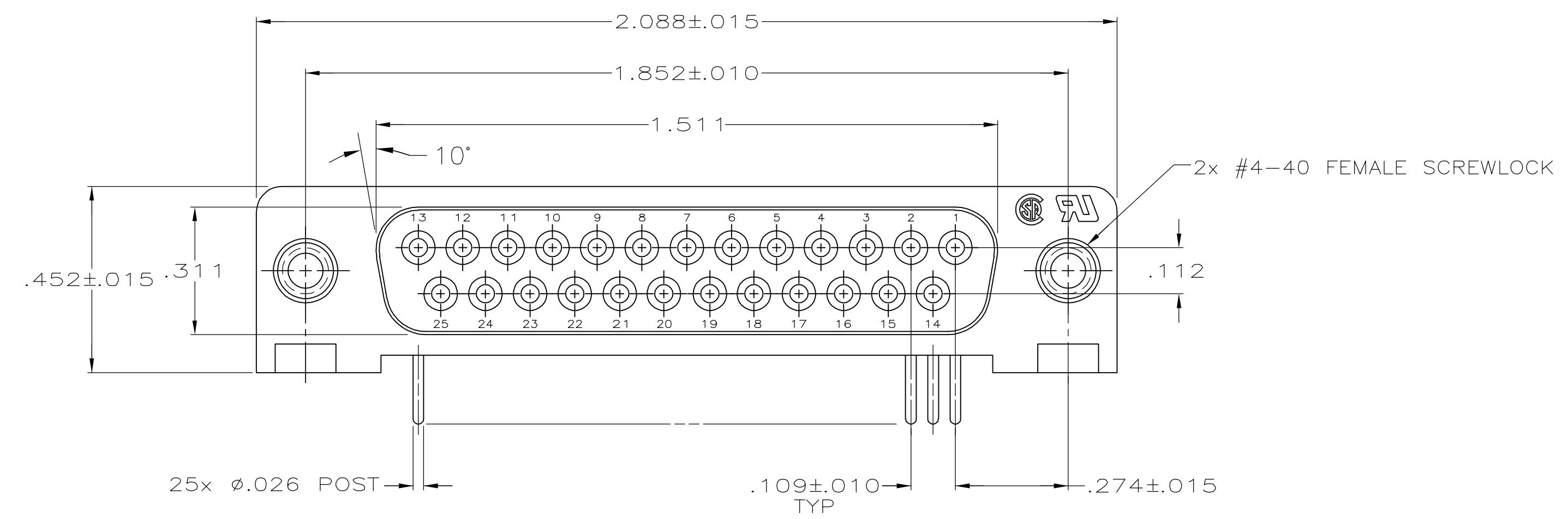
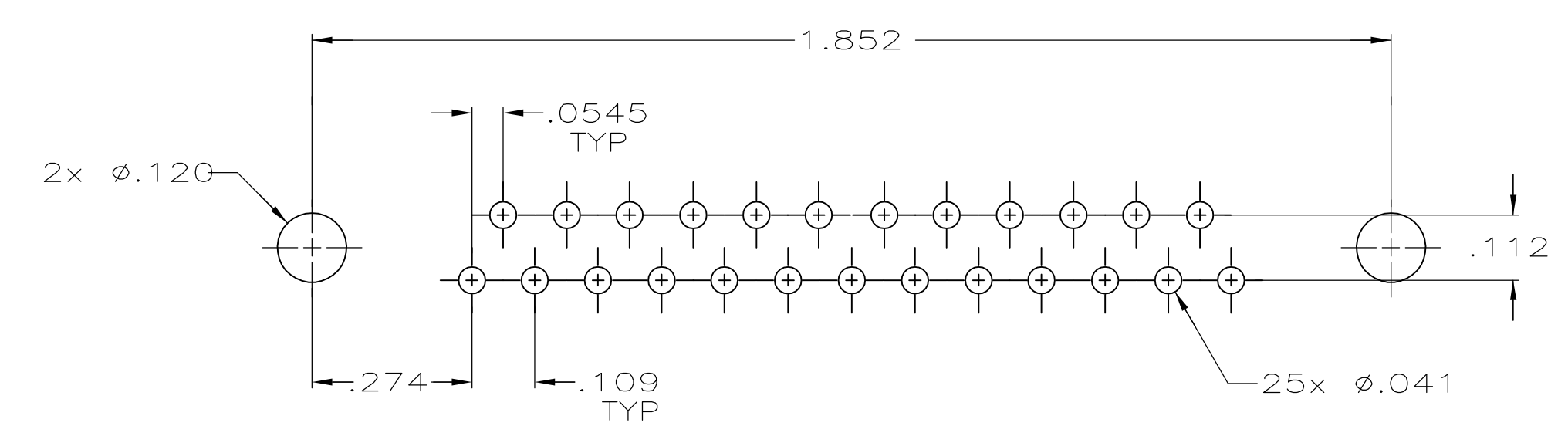
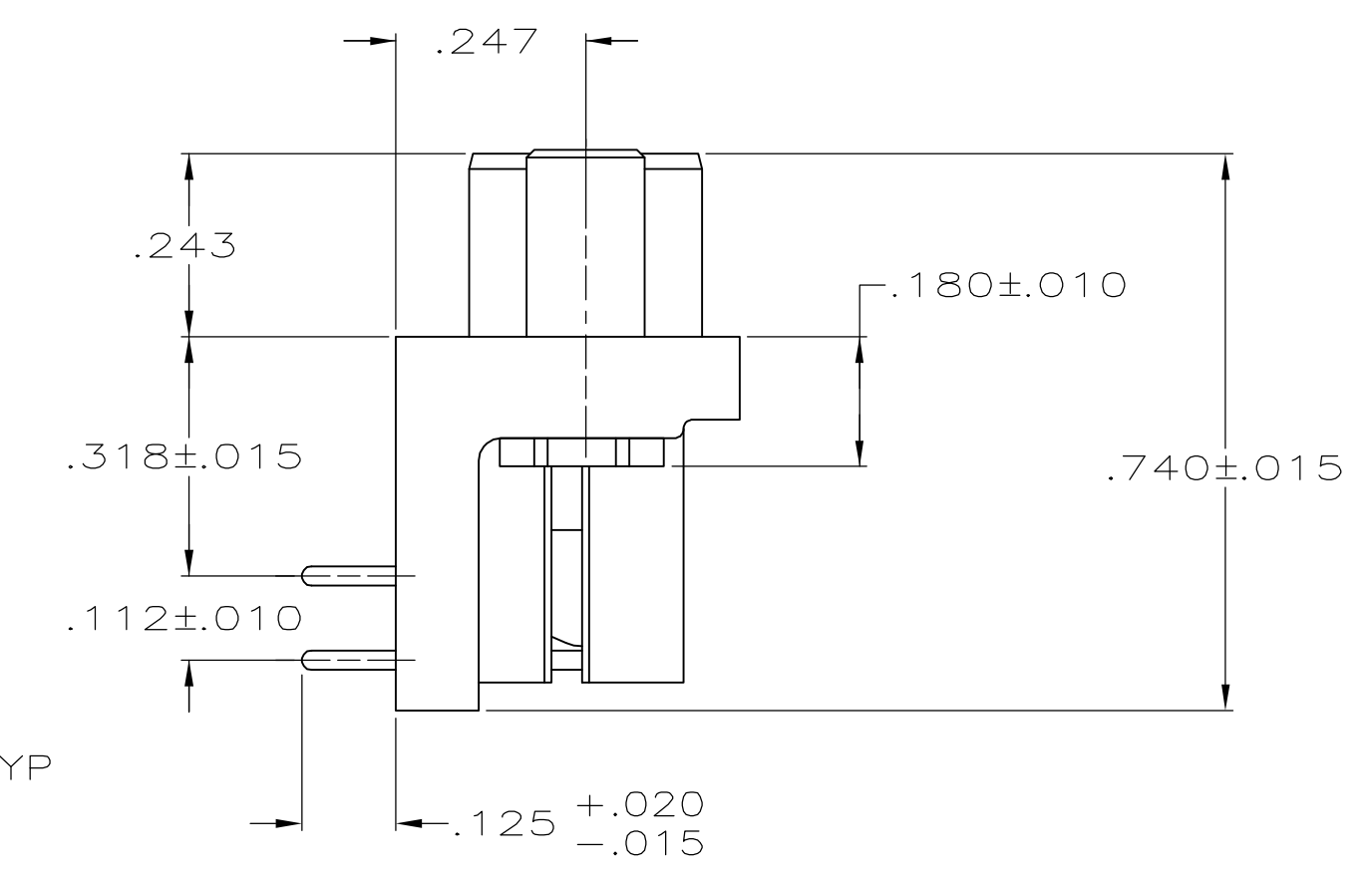
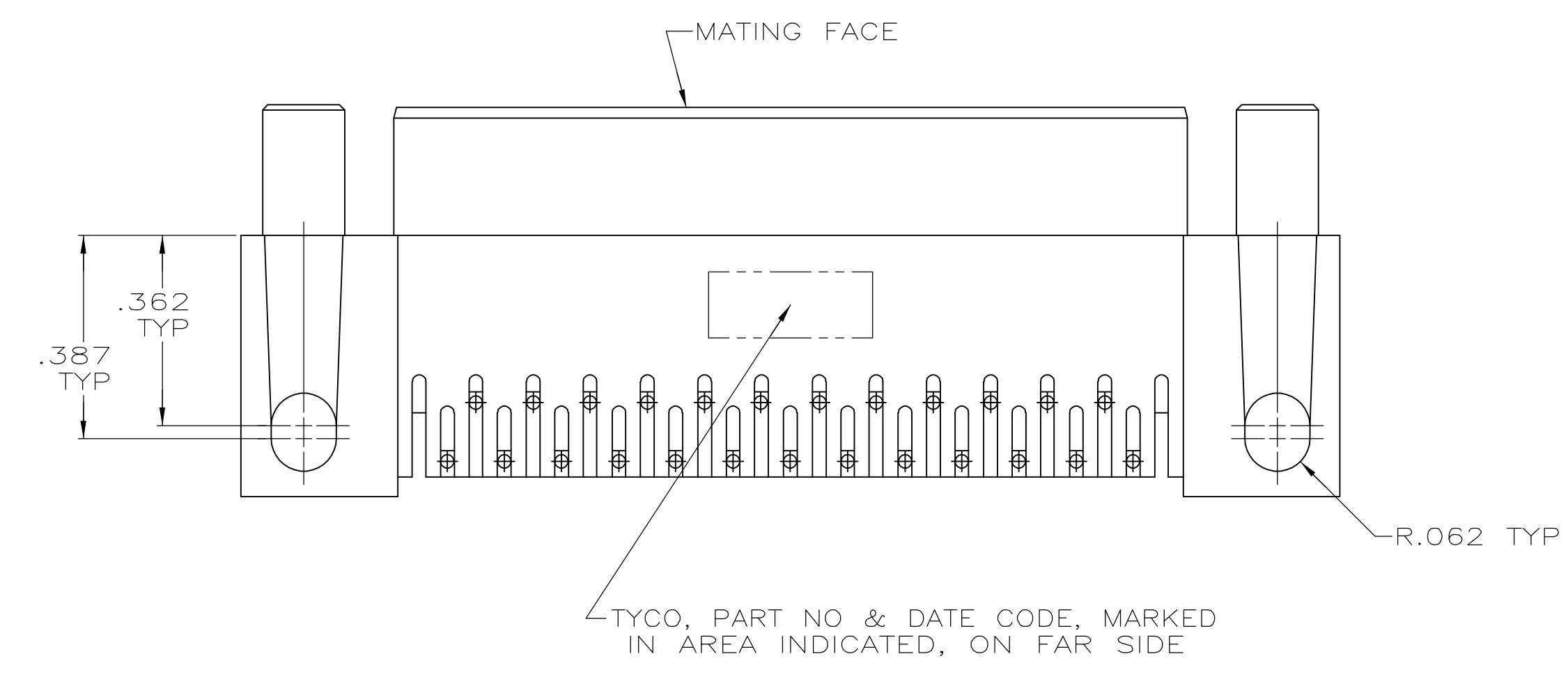


| LOC | | DIST | | REVISIONS | | | |
|-----|------|------------------------------|---------|-----------|------|--|--|
| REV | DATE | DESCRIPTION | DATE | DWN | APPD | | |
| 0 | | RELEASED PER EC 0513-0087-05 | 15SEP05 | GP | JG | | |



- 1 HOUSING: FLAME RETARDANT, 94V-0 RATED, GLASS FILLED NYLON OR POLYESTER, COLOR: BLACK.
CONTACTS: PHOS. BRONZE.
SCREWLOCKS: ZINC.
- 2 REFER TO APPLICATION SPEC FOR RECOMMENDED P.C. BOARD MOUNTING DIMENSIONS FOR AUTOMATIC INSERTION.
- 3 CONTACTS: PLATED WITH .000030 MIN GOLD FOR LENGTH OF .055 MIN FROM MATING END, .000100 MIN TIN ON SOLDER END, ALL OVER .000050 MIN NICKEL ON ENTIRE CONTACT.
SCREWLOCKS: CLEAR CHROMATE COATING.



P.C. BOARD MOUNTING DIMENSIONS

**COPYRIGHT 2005
 TYCO ELECTRONICS CORP
 ALL RIGHTS RESERVED**

5745397-2
 PART NUMBER

| | | | |
|--|--------|--------------------------------|---|
| THIS DRAWING IS A CONTROLLED DOCUMENT. | | DWN G. PETERS 15SEP05 | Tyco Electronics Corporation Harrisburg, PA 17105-3608 |
| DIMENSIONS: INCHES | | CHK S. BOLASH 15SEP05 | |
| TOLERANCES UNLESS OTHERWISE SPECIFIED: | | APPD M. WALMSLEY 15SEP05 | NAME |
| 0 PLC ± - | | PRODUCT SPEC | RECEPTACLE ASSY, SIZE 3, 25 POSN, RIGHT ANGLE, .318 SERIES, .026 DIA POSTS, W/ FEMALE SCREWLOCKS, AMPLIMITE HD-20 |
| 1 PLC ± - | | APPLICATION SPEC | 108-40025 |
| 2 PLC ± - | | SIZE | 114-40015 |
| 3 PLC ± .005 | | DWG CODE | A1 |
| 4 PLC ± - | | DRAWING NO | 00779 |
| ANGLES ± ± ° | | WEIGHT | 5745397 |
| MATERIAL | FINISH | CUSTOMER DRAWING | SCALE 4:1 SHEET 1 of 1 REV 0 |